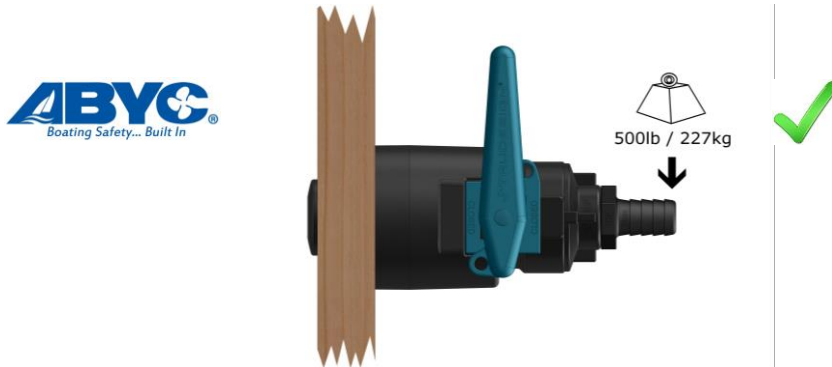


LOAD BEARING COLLARS - ABYC H-27 RATED

TruDesign Load Bearing Collars are designed for use with TruDesign Skin Fittings and Ball Valves. A Load Bearing Collar will allow an assembly of a Skin Fitting - Ball Valve – Tail to withstand a 500 lb. (227 kg) load applied to the Tail (inboard end), for a minimum of 30 seconds – complying with North American ABYC H-27 standards.



Part Numbers:

Model / Size	Weight	Part Number
Load Bearing Collar Small (for ½", ¾" or 1" sizes)	150 grams / 5.3 oz	90856
Load Bearing Collar Medium (for 1¼" or 1½" sizes)	165 grams / 5.8 oz	90857
Load Bearing Collar ABYC Large (for 2" size)	285 grams / 10 oz	90920

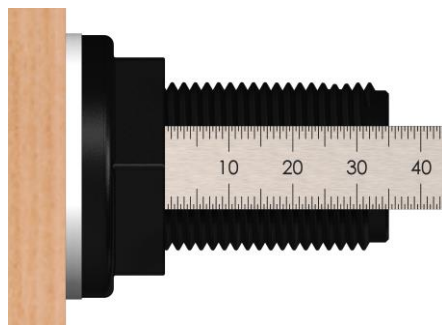


Features & Benefits:

Feature:	Benefit:
ABYC H-27 compliance for ½", ¾", 1", 1¼", 1½", & 2" size assemblies	Strength and peace-of-mind. Rates assemblies to withstand a static load of 500 lb (227 kg) at the Tail end for a minimum of 30 seconds
No additional bolts or fasteners through or on to the hull	Unlike flanged seacocks, the TruDesign Load Bearing Collars work without needing to be fastened to the hull
Shrouded protection	Protects vulnerable areas, such as the exposed thread of the Skin Fitting, from being inadvertently struck by loose items in the hull
Manufactured from a glass-reinforced nylon composite	High strength and light weight
Immune to corrosion and electrolysis	Long life with no concerns over decreased performance due to corrosion. No bonding required

Technical Information:

- The below table shows the minimum and maximum thread length allowed to protrude inside the hull for each size skin fitting. This will ensure a snug fit of the collar against the hull. It should be noted that for very thin hulls that a backing plate be added to make the “effective hull thickness” a minimum of 20mm.
- The Skin Fitting can be shortened by cutting with a hacksaw. Measure the thread length from the top of the Skin Fitting Nut as pictured below. Then dry fit to ensure a snug fit against hull or backing plate.
- Ensure the thread length after cutting falls between the minimum and maximum values. Remove any ragged internal edges with a small file.
- For additional information on maximum hull thickness for different size skin fitting (Thru Hulls) refer to TruDesign skin fitting information sheet on our web site.
- If not installed correctly (e.g. if the Skin Fitting thread has not been reduced to a sufficient length) the Collar will be loose and will be able to move up and down the Ball Valve. When installed correctly, the Collar will be snug and not move
- For skin fitting installation refer to TruDesign Skin Fitting Information Sheet



Skin Fitting (Thru Hull) Size	Maximum length past Nut	Minimum length past Nut
1/2"	25mm (1")	20mm (3/4")
3/4" and 1"	20mm (3/4")	15mm (5/8")
1 1/4", 1 1/2" and 2"	32mm (1 1/4")	22mm (7/8")
all dimensions nominal		

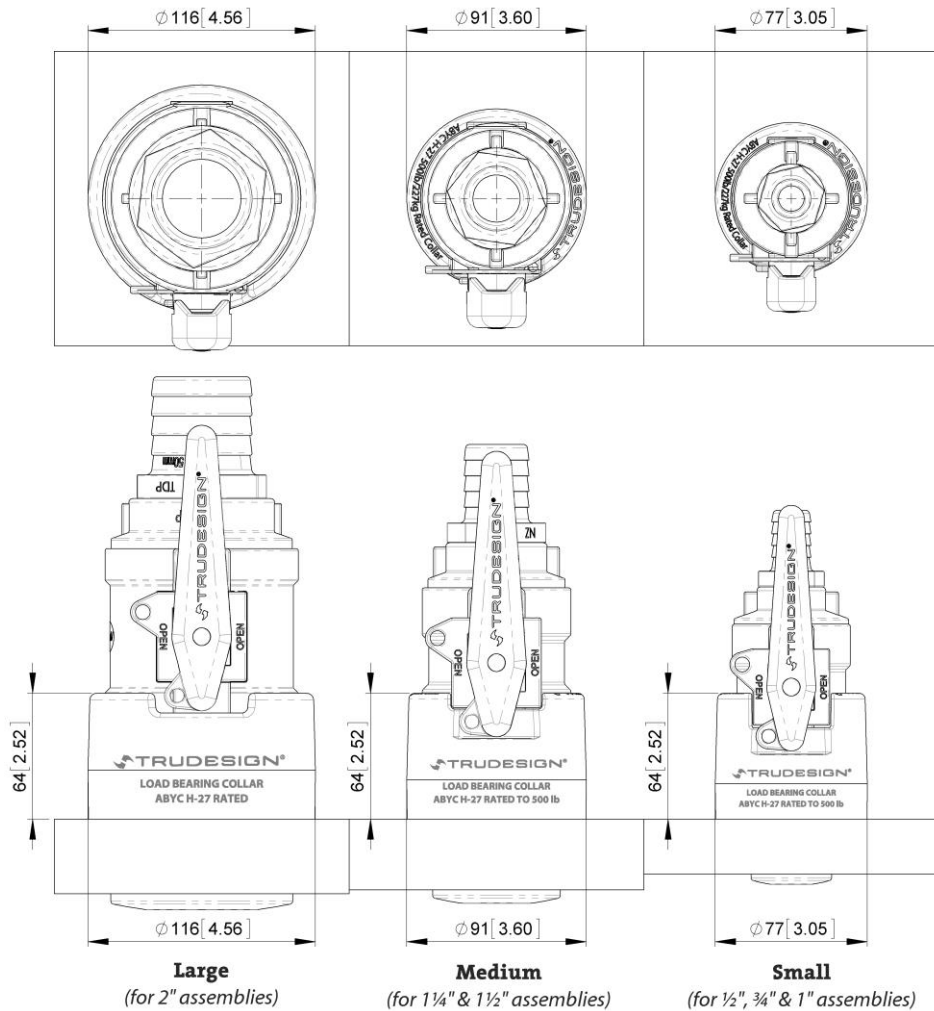
Compliance and Approvals:

ABYC (American Boat & Yacht Council) H-27 (SEACOCKS, THRU-HULL FITTINGS, AND DRAIN PLUGS) compliance when a Load Bearing Collar is used with TruDesign Skin Fittings, Ball Valves, and Tails – Independently verified by IMANNA Laboratory Inc., Rockledge FL, USA. (Test Report 20143-1). Note: Not tested with other manufacturer’s fittings. Note this does not apply for 1/2" Through Hulls.

TruDesign Skin Fittings and Ball Valves are certified by Bureau Veritas & IMCI to ISO 9093-2 standards (Small craft — Seacocks and through-hull fittings — Part 2: Non-metallic), for use above and below the waterline.



Dimension - Dimensions are in millimetres & (inches) – all dimensions nominal



The information contained in this information sheet is for general information purposes only. The information is provided by TruDesign™ and while we endeavour to keep the information up to date and correct, we make no representations or warranties of any kind, express or implied, about the completeness, accuracy, reliability, suitability or availability. Any reliance you place on such information is therefore strictly at your own risk.