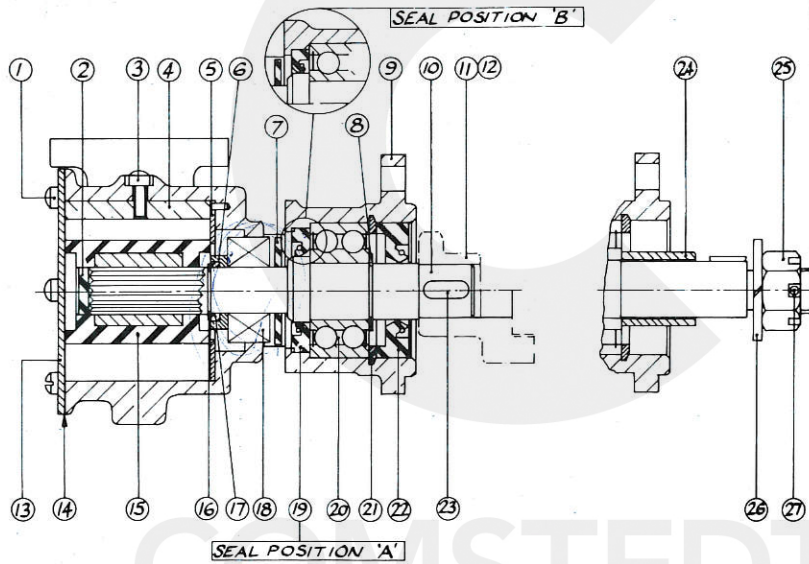
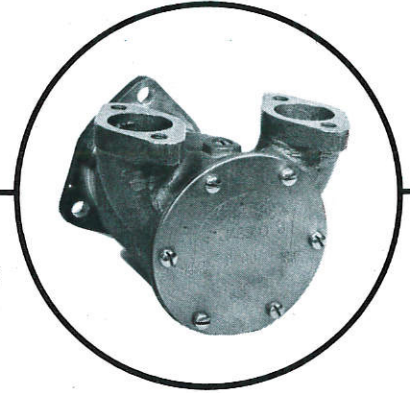


# JABSCO

## MARINE PUMPS Series 9700



**PART NUMBER**

Key	Description	Qty	Model 9700	Model 9700-01	Model 9700-04	Model 9700-05	Model 9700-08	Model 9700-21	Model 9700-41	Model 9700-51	Model 9700-61	Model 9700-71
1	Screw	6	SP1003-01	All Models								
2	Spline Seal	1	4345	All Models								
3	Cam Screw	1	SP1004-11	SP1004-09	SP1004-11	SP1004-10	SP1004-11	SP1004-09	SP1004-10	SP1004-09	SP1004-11	SP1004-09
4	Cam	1	3255	934	3255	2431	3255	934	2431	934	3255	934
5	Wear Plate	1	4156	All Models								
6	Seal Seat	1	9708	All Models								
7	Slinger	1	3180	All Models								
8	Retaining Ring	1	SP1700-247	All Models								
9												
10	Shaft	1	9707	9707	9707	9707	9707	9707	9707	9707-01	9707	9707
11	Coupling	1	—	—	—	—	—	—	—	—	—	10849
12	Set Screw	—	—	—	—	—	—	—	—	—	—	—
13	Endcover Blank	1	3993	All Models								
14	Gasket	1	3101	890	3101	2432	3101	890	2432	890	3101	890
15	Impeller	1	702	All Models								
16	Retaining Ring	1	SP1700-62	All Models								
17	Drive Ring	1	9728	All Models								
18	Seal	1	SP6080-06	All Models								
19	Seal	1	SP2700-48	All Models								
20	Bearing	1	SP2600-06	All Models								
21	Retaining Ring	1	SP1701-185	All Models								
22	Seal	1	—	—	—	—	—	SP2701-11	SP2701-11	—	SP2701-11	—
23	Key	1	10432	10432	10432	10432	10432	10432	10432	10432	10432	10432
24	Spacer	1	—	—	—	—	—	—	—	—	—	—
25	Nut	1	—	—	—	—	—	—	—	—	—	—
26	Washer	1	—	—	—	—	—	—	—	—	—	—
27	Split Pin	1	—	—	—	—	—	—	—	—	—	—
	'Seal Position'		B	B	B	B	B	A	A	B	A	B

Key	Description	Qty	Model 9700-91	Model 9700-101	Model 9700-101-01	Model 9700-121	Model 9700-131	Model 9700-141	Model 9700-151	Model 9700-161	Model 9700-171	Model 9700-181
1	Screw	6	SP1003-01	All Models								
2	Spline Seal	1	4345	All Models								
3	Cam Screw	1	SP1004-11	SP1004-10	SP1004-10	SP1004-10	SP1004-09	SP1004-09	SP1004-11	SP1004-11	SP1004-11	SP1004-09
4	Cam	1	3255	2431	2431	2431	934	934	3255	3255	3255	934
5	Wear Plate	1	4156	All Models								
6	Seal Seat	1	9708	All Models								
7	Slinger	1	3180	All Models								
8	Retaining Ring	1	SP1700-247	All Models								
9												
10	Shaft	1	9707	9707	9707	9707	9707-31	9707	9707	21635	9707	9707
11	Coupling	1	—	—	10-1227	—	—	11784	11784	—	21590	21590
12	Set Screw	—	—	—	—	—	—	—	—	—	SP6091-0101	SP6091-0101
13	Endcover Blank	1	3993	All Models								
14	Gasket	1	3101	2432	2432	2432	890	890	3101	3101	3101	890
15	Impeller	1	702	All Models								
16	Retaining Ring	1	SP1700-62	All Models								
17	Drive Ring	1	9728	All Models								
18	Seal	1	SP6080-06	All Models								
19	Seal	1	SP2700-48	All Models								
20	Bearing	1	SP2600-06	All Models								
21	Retaining Ring	1	SP1701-185	All Models								
22	Seal	1	—	—	SP2701-11	—	—	—	—	—	—	—
23	Key	1	10432	10432	10432	10432	10432	10432	10432	SP1401-03	10432	10432
24	Spacer	1	—	—	—	—	—	—	—	21636	—	—
25	Nut	1	—	—	—	—	—	—	—	SP6020-0020	—	—
26	Washer	1	—	—	—	—	—	—	—	SP1613-1140	—	—
27	Split Pin	1	—	—	—	—	—	—	—	SP1112-0260	—	—
	'Seal Position'		B	A	A	B	B	B	B	B	B	B

SERVICE KITS containing, impeller, gasket, seal, endcover screws.  
 MODELS 9700, -04, -08, -61, -91, -151, -161, -171 ..... all SK 238-01  
 MODELS 9700-01, -21, -51, -71, -131, -141, -181 ..... all SK 238  
 MODELS 9700-41, -101, -101/01, -121, -05 ..... all SK 238-21