

CONNECTOR (Adapter) 90°- FEMALE to MALE THREAD

Designed and made in New Zealand, TruDesign Connectors / Adapters are moulded from a glass reinforced nylon composite. High strength, high-modulus, glass reinforced nylon provides dramatic strength, stiffness, toughness, and dimensional stability.



For above water line only. ISO and ABYC require a Ball Valve to be directly fitted to a skin fitting in below water line applications.

Features

Feature :	
Manufactured from a glass reinforced nylon composite	High strength and light weight.
When connected to Skin Fitting	Must be above water line. Below water line skin fittings must have a Ball Valve directly fitted to it.
Compatible with all hull types	Can be used on aluminum, steel, wood or FRP hulls.
Immune to corrosion and electrolysis	Long life with no concerns over decreased performance due to corrosion.
Chemical resistant	Impervious to diesel, petrol and antifouling paints.
UV resistant	These fittings will not break down with ultraviolet light or discolour from the sun.
High quality surface finish	Will not discolour with green film as similar bronze fittings do.
Fits TruDesign Skin Fittings and Ball Valves	Universal compatibility to other TruDesign fittings, and other marine components.
Large operating temperature range	Suitable for all marine environments, from -40°C to +110°C.

Installation

For thread sealing see TruDesign Technical information sheet on our web site www.trudesignplastics.com - for suitable adhesive sealants and or thread tapes.

The connecting thread type are either BSP or NPS and clearly marked on the side of the fitting along with size. The advantage of parallel threads rather than tapered is that there can be maximum engagement between the mating threads providing a stronger connection.

Do not over tighten, allow the adhesive sealant to provide the seal. To achieve the correct orientation simply screw the fitting all the way home then "back it off" to the correct orientation to suit hose direction. Adhesive sealants best provide both the mechanical strength and sealing.

Part Numbers BSP

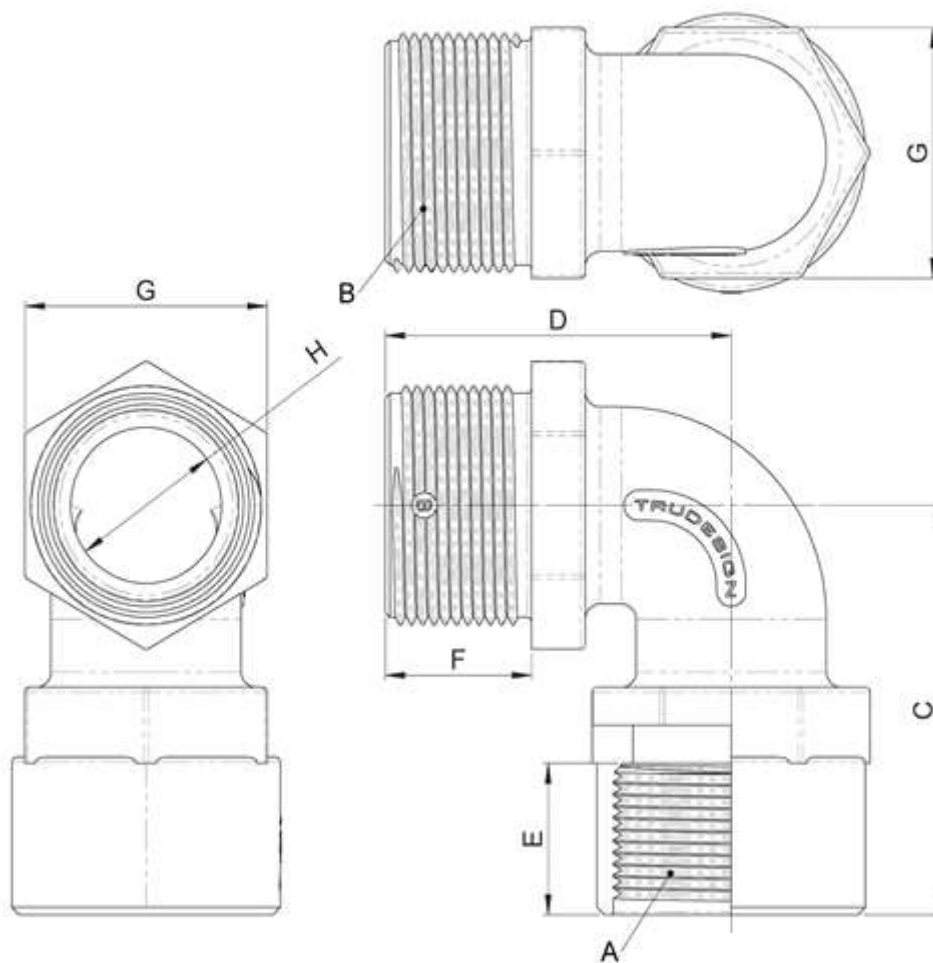
	CONNECTOR THREADED FEMALE TO MALE 90°
90777	Connector 3/4" BSP F 3/4" BSP M 90°
90778	Connector 3/4" BSP F 3/4" BSP M 90° PKG
90779	Connector 1" BSP F 1" BSP M 90°
90780	Connector 1" BSP F 1" BSP M 90° PKG
90632	Connector 1 1/4" BSP F 1 1/4" BSP M 90°
90638	Connector 1 1/4" BSP F 1 1/4" BSP M 90° PKG
90630	Connector 1 1/2" BSP F 1 1/2" BSP M 90°
90636	Connector 1 1/2" BSP F 1 1/2" BSP M 90° PKG
90628	Connector 2" BSP F 2" BSP M 90°
90634	Connector 2" BSP F 2" BSP M 90° PKG
91165	Connector 3" BSP F 3" BSP M 90°
* PKG denotes product supplied in branded bag	

Part Number NPS

	ADAPTER THREADED FEMALE TO MALE 90°
90825	Adapter 3/4" NPS Female 3/4" NPS Male 90°
90826	Adapter 3/4" NPS Female 3/4" NPS Male 90° PKG
90827	Adapter 1" NPS Female 1" NPS Male 90°
90828	Adapter 1" NPS Female 1" NPS Male 90° PKG
90829	Adapter 1 1/4" NPS Female 1 1/4" NPS Male 90°
90830	Adapter 1 1/4" NPS Female 1 1/4" NPS Male 90° PKG
90831	Adapter 1 1/2" NPS Female 1 1/2" NPS Male 90°
90832	Adapter 1 1/2" NPS Female 1 1/2" NPS Male 90° PKG
90833	Adapter 2" NPS Female 2" NPS Male 90°
90834	Adapter 2" NPS Female 2" NPS Male 90° PKG
* PKG denotes product supplied in branded bag	

Dimensions

A	B	C		D		E		F		G		H	
Female Thread Size	Male Thread Size	Length		Length		Female Thread Length		Male Thread Length		Hex Size AF		Minimum Internal Ø	
¾"	¾"	62mm	2 4/9"	63mm	2 1/2"	30mm	1 1/6"	30mm	1 1/6"	30mm	1 1/6"	13mm	1/2"
1"	1"	65mm	2 5/9"	65mm	2 5/9"	30mm	1 1/6"	30mm	1 1/6"	35mm	1 3/8"	19mm	3/4"
1¼"	1¼"	81mm	3 1/5"	68mm	2 2/3"	30mm	1 1/6"	30mm	1 1/6"	44mm	1 5/7"	25mm	1"
1½"	1½"	81mm	3 1/5"	71mm	2 4/5"	30mm	1 1/6"	30mm	1 1/6"	50mm	2"	31mm	1 2/9"
2"	2"	81mm	3 1/5"	77mm	3"	30mm	1 1/6"	30mm	1 1/6"	62mm	2 3/7"	43mm	1 2/3"
3"	3"	128mm	5"	117mm	4 3/5"	42mm	1 2/3"	42mm	1 2/3"	90mm	3 1/2"	66mm	2 3/5"



The information contained in this information sheet is for general information purposes only. The information is provided by TruDesign™ and while we endeavour to keep the information up to date and correct, we make no representations or warranties of any kind, express or implied, about the completeness, accuracy, reliability, suitability or availability. Any reliance you place on such information is therefore strictly at your own risk.